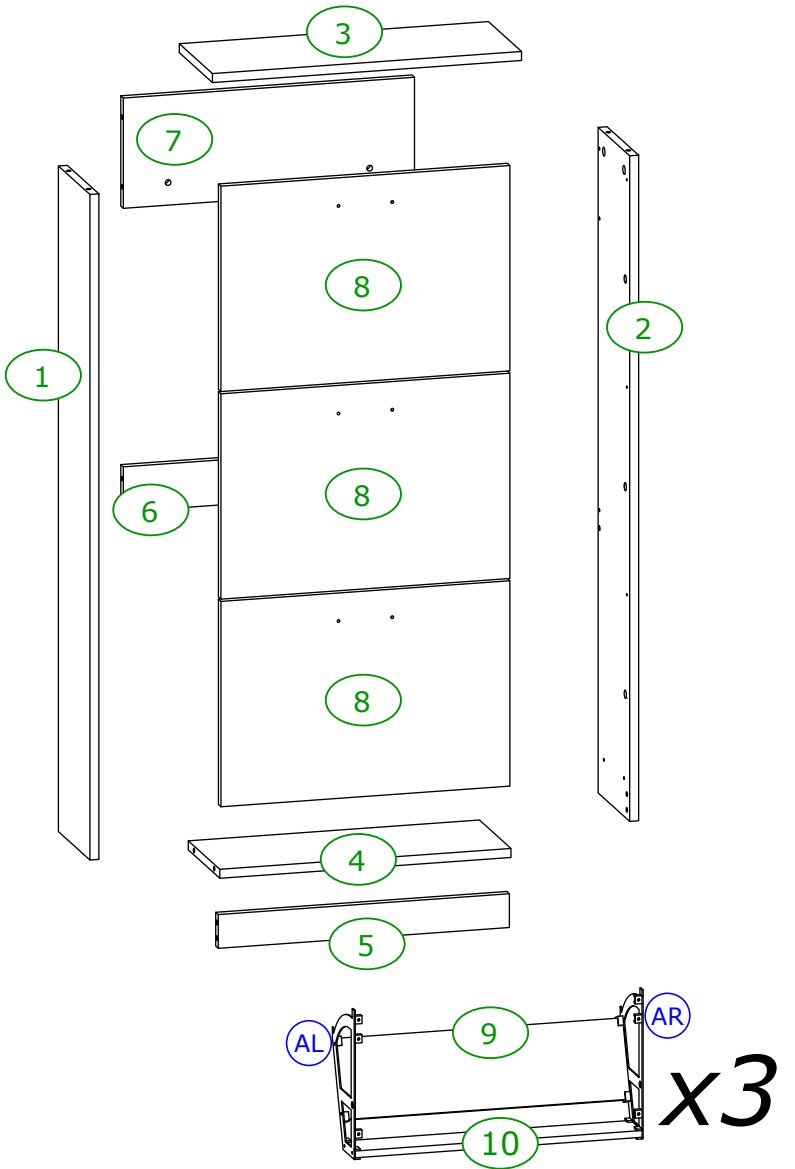
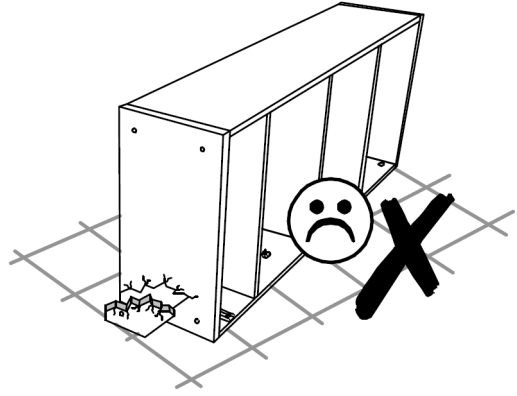
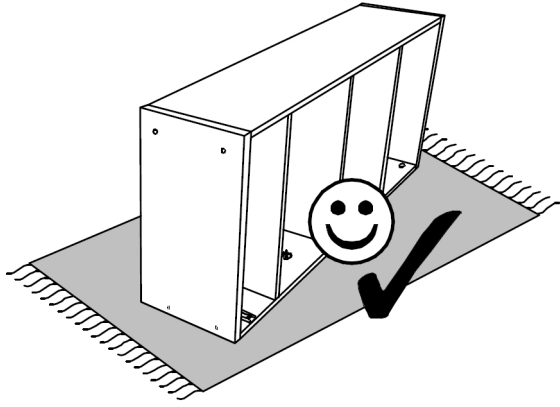
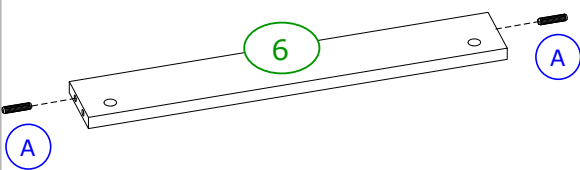
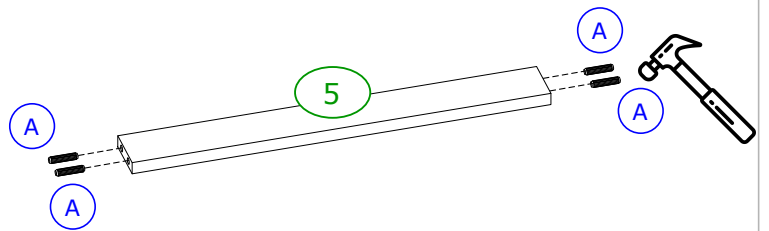
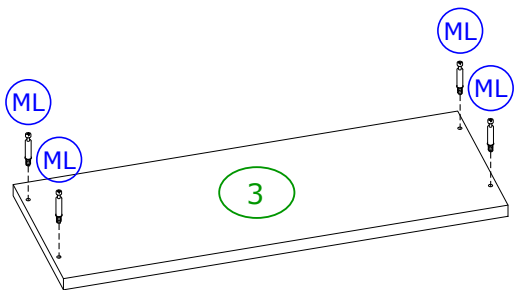
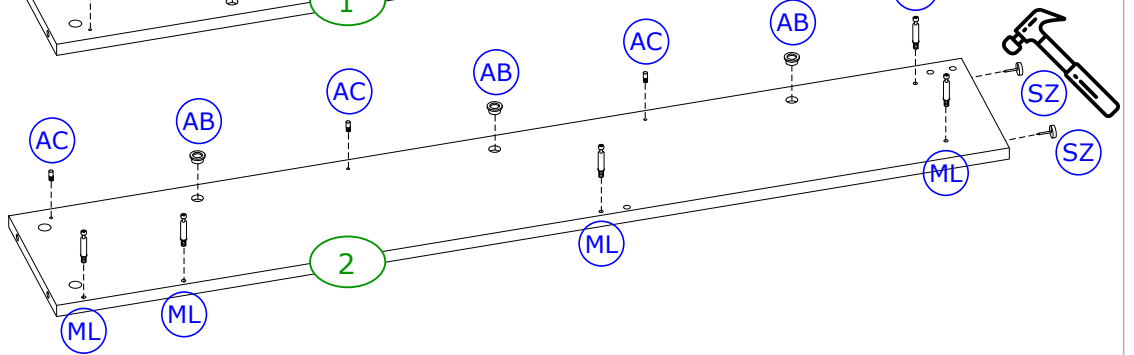
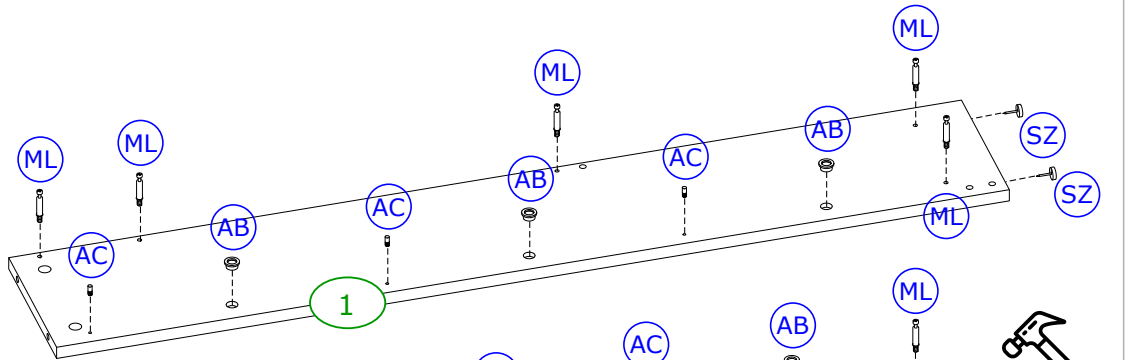


<b>ML</b>	14 x	<b>M1</b>	14 x
<b>A</b>	6 x	<b>L</b>	6 x
	8 x 35		4 x 30
<b>X</b>	18 x	<b>J</b>	24 x
	3,5 x 16		3 x 12
<b>AB</b>	6 x	<b>AC</b>	6 x
<b>AD</b>	6 x	<b>AE</b>	6 x
<b>AL</b>	3 x	<b>AR</b>	3 x
<b>XL</b>	2 x	<b>UN</b>	3 x
	8 x 60		
<b>MZ</b>	4 x	<b>SZ</b>	4 x



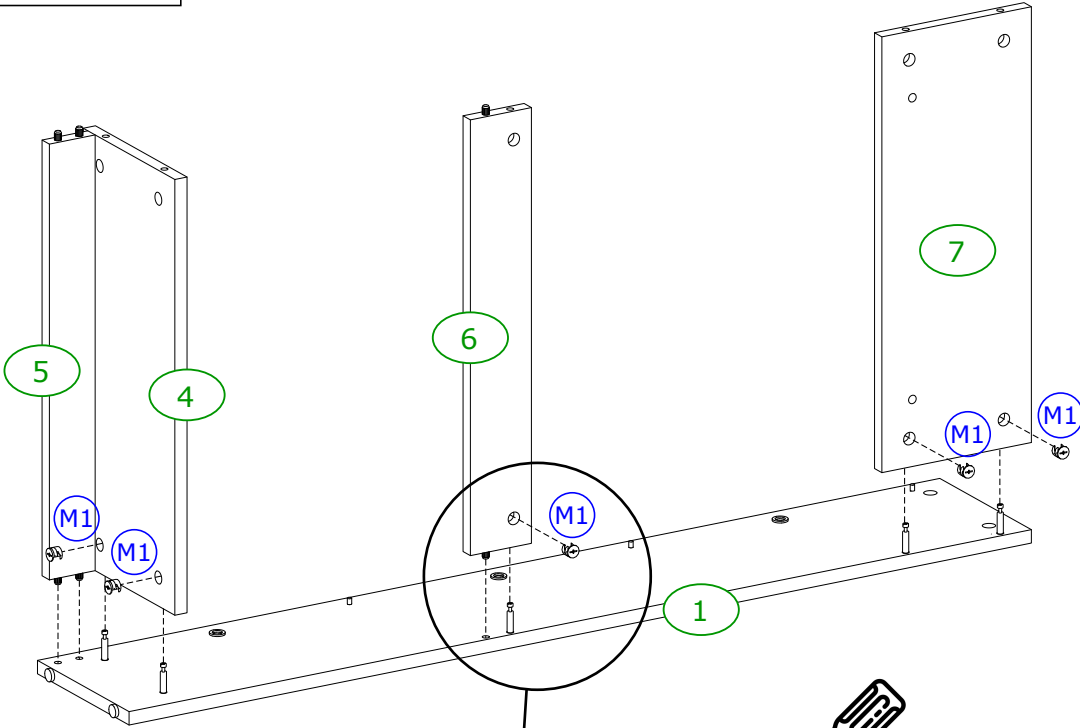


<b>ML</b>	14 x	<b>A</b>	6 x	<b>AB</b>	6 x	<b>AC</b>	6 x	<b>SZ</b>	4 x
			8 x 35						



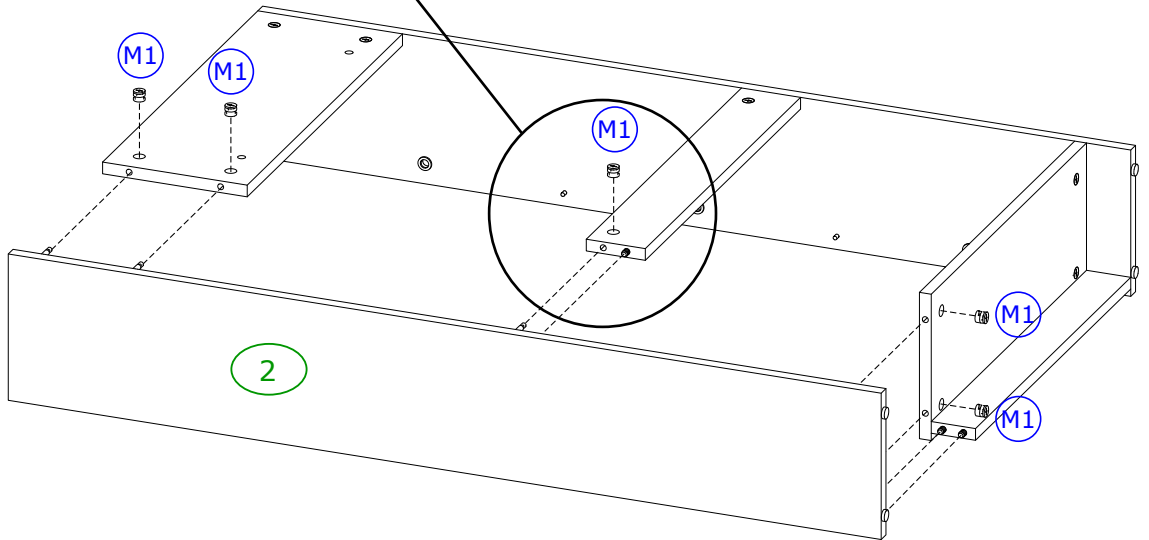
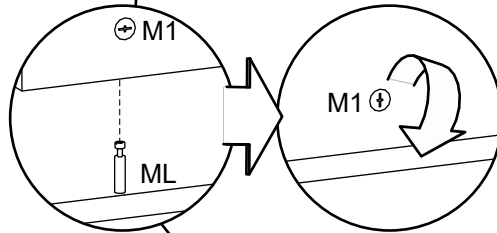
**1**

M1 5 x



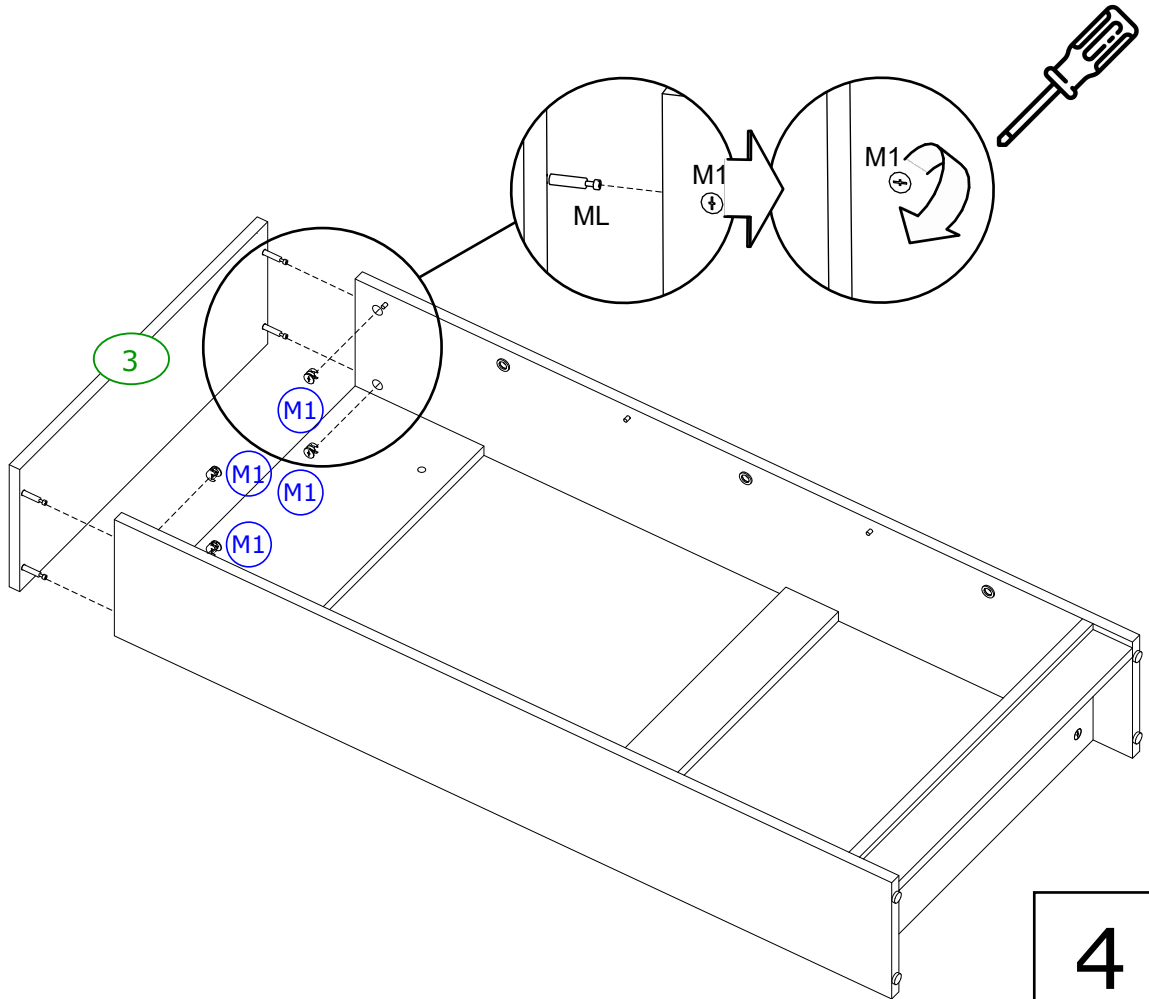
2

M1 5 x

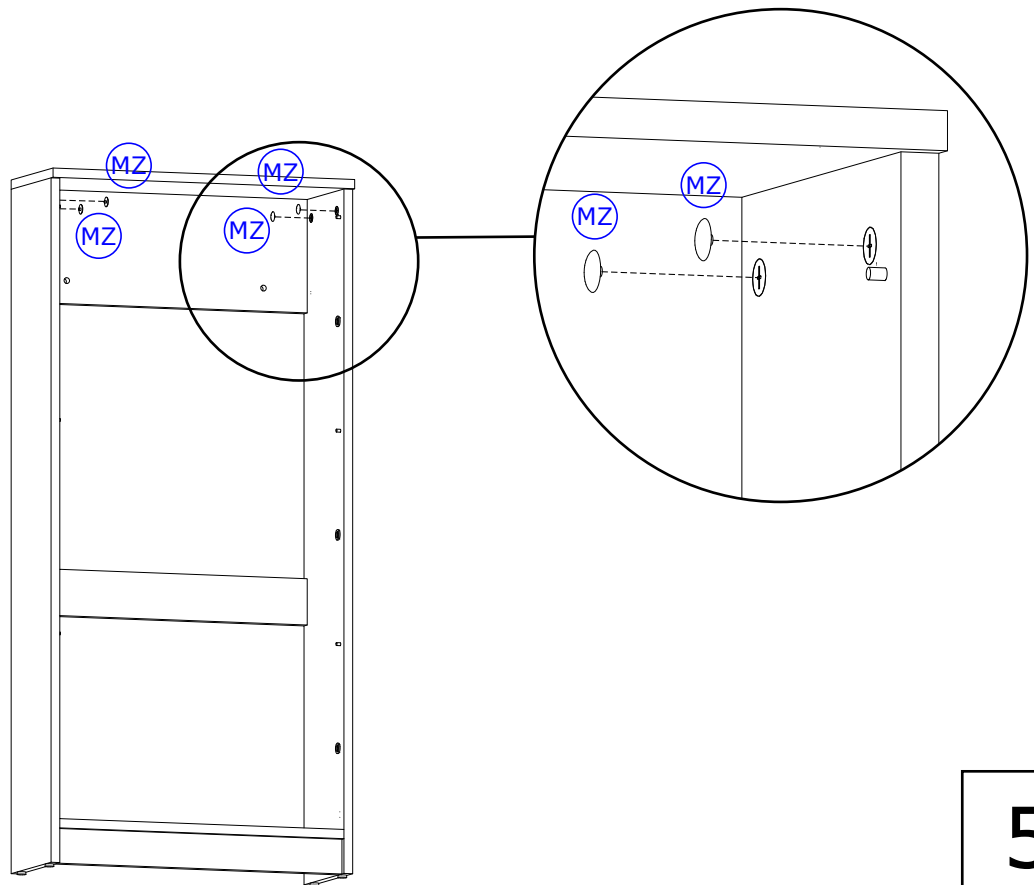
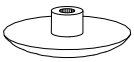


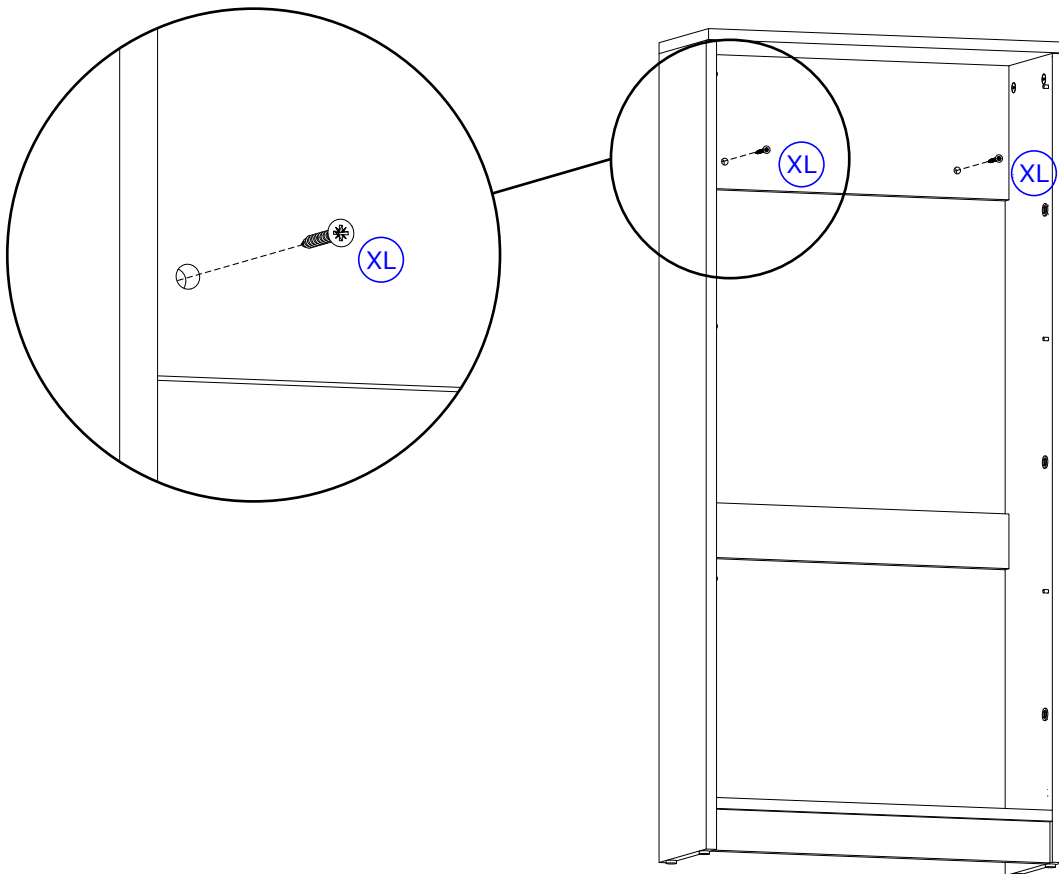
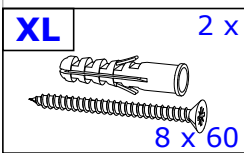
3

**M1** 4 x

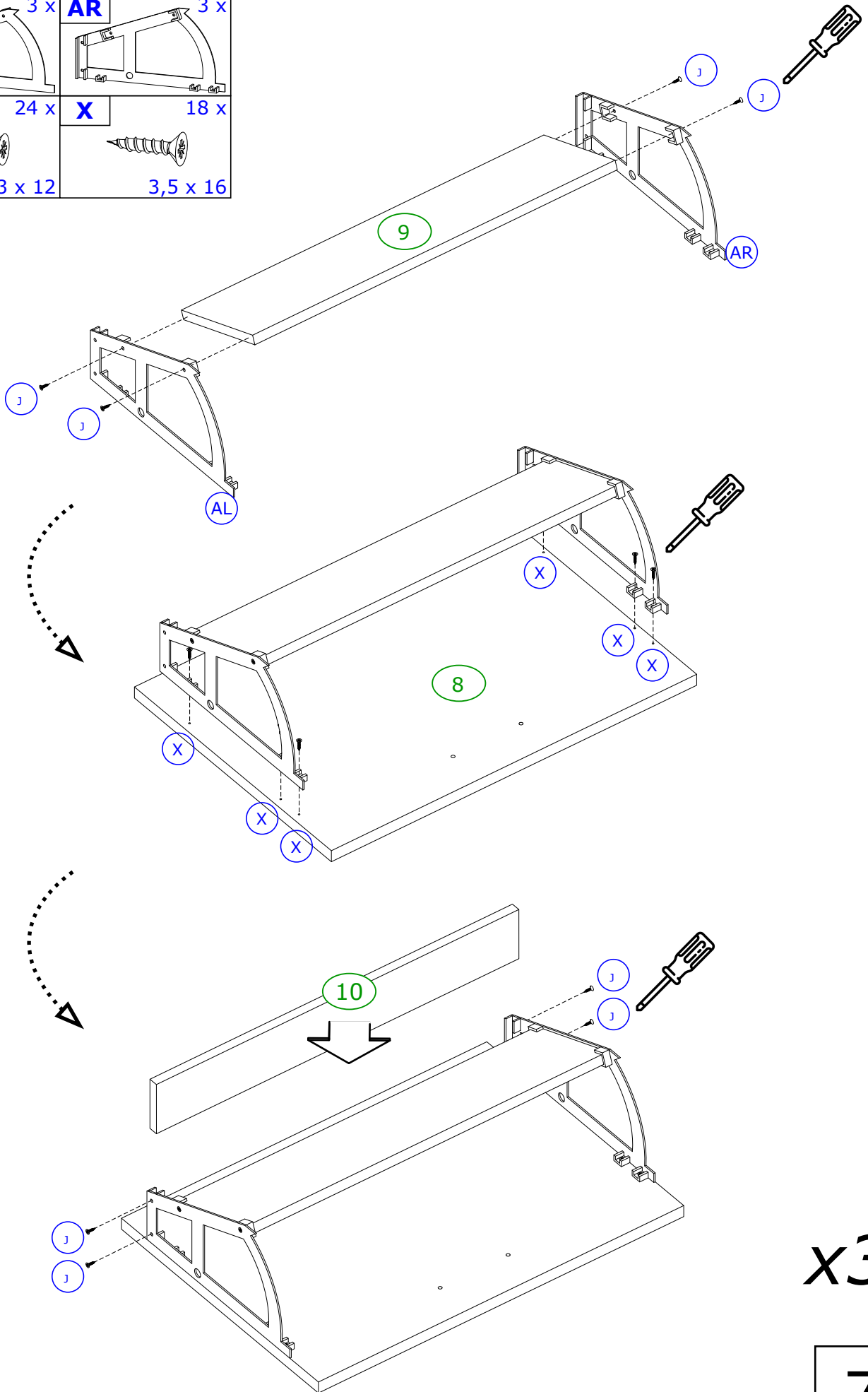


**MZ** 4 x



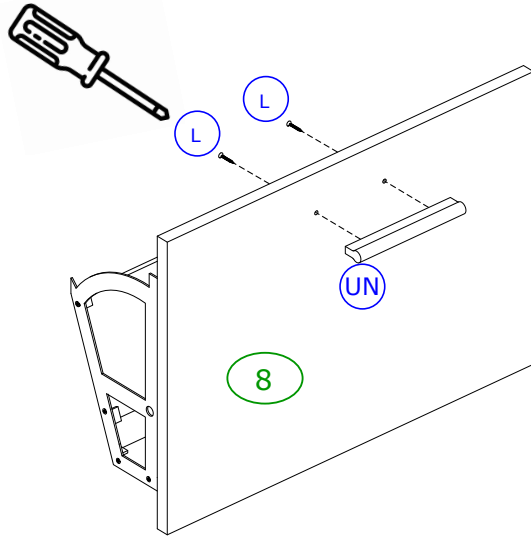
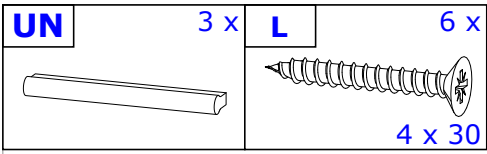


<b>AL</b>	3 x	<b>AR</b>	3 x
<b>J</b>	24 x	<b>X</b>	18 x
	3 x 12		3,5 x 16

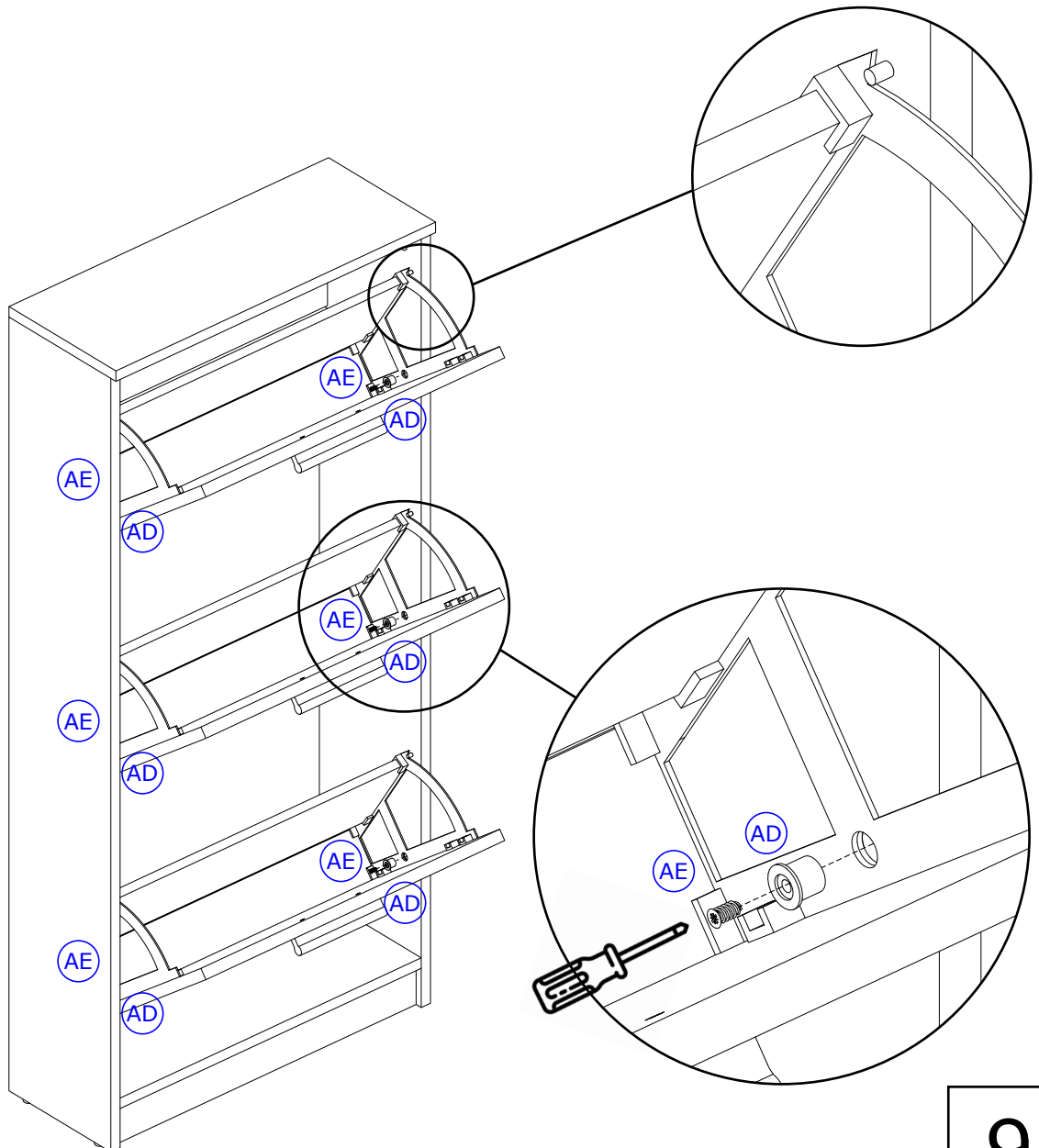
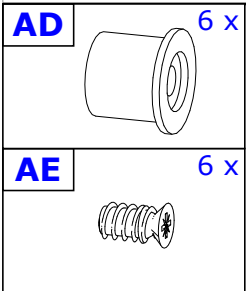


x3

7



8



9